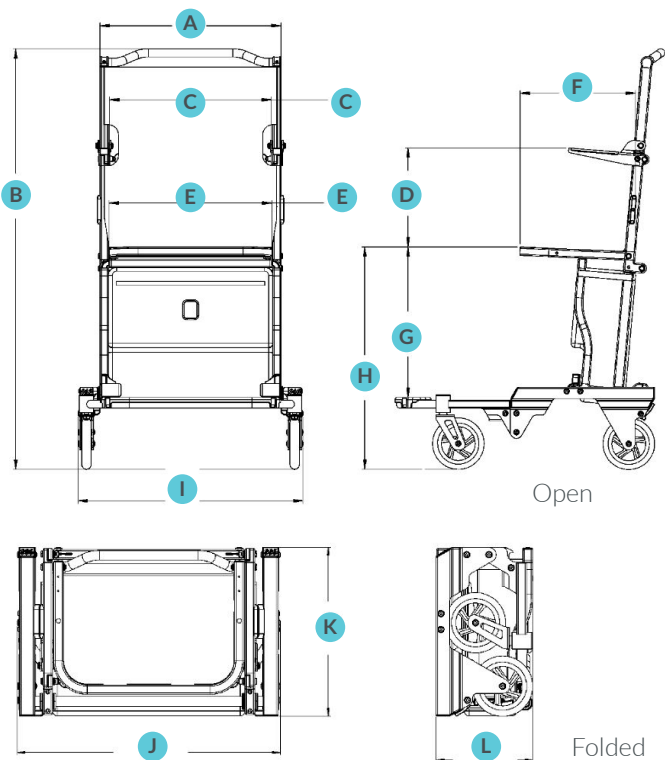


# Traveller Chair Technical Data Sheet

Traveller Chair is a lightweight aluminium folding transit wheelchair. Its innovative design combines both storage and transportation, its unique folding mechanism enables it to be quickly and easily folded, small enough to comply with airline regulations\* for carry-on luggage. This means Traveller Chair is with you all the way, no fuss and no waiting. (Patent Applied For)

## Technical Data



General Dimensions Open (mm)		
A	Backrest width	439
B	Push handle height	1022
C	Width between armrests	392
D	Armrest height	241
E	Seat width	395
F	Seat depth	280
G	Seat height (from footrest)	365
H	Seat height (from the floor)	540
I	Product width	546

General Dimensions Folded (mm)		
J	Maximum width	546
K	Maximum height	350
L	Maximum depth	200
Bag storage capacity (combined)		18 litres
Product weight		7 kg
Maximum user weight		16 stones (100 kg)
Age range: This product is not designed for small children		

## Features

- Traveller Chair is a transit wheelchair
- Traveller Chair is a case
- Complies with airline regulations\* for carry-on luggage
- Lightweight aluminium construction
- Compact design is easily stored and carried
- Zipped document pocket
- Zipped rear pocket
- Opens and folds in seconds
- Parking brake
- Lap strap
- Qualifies for VAT relief

## Operation

- Traveller Chair is designed both as a case and a transit wheelchair.
- As you prepare for your trip pack the case as you would a normal suitcase, please note, the rear pocket can only be accessed when the product is unfolded.
- At your destination unfold the product. Traveller Chair can now be used as an attendant controlled transit wheelchair.
- Traveller Chair folds and unfolds in seconds, so can be used and stored simply and quickly, at any stage of your journey.

With you **all the way.**

## Safety in Use

- Both parking brakes must be applied before the user sits or rises from the chair.
- Never park Traveller Chair on a slope or camber, always park on level ground.
- When sitting, avoid sudden jerky or rocking movements.
- Armrests can be raised to aid sitting or standing but must be down and locked for travel.
- Traveller Chair is not designed for large kerbs, smaller kerbs and thresholds can be negotiated, use recommended practice, refer to NHS guidelines for correct usage.
- Do not use Traveller Chair on rough or uneven terrain.
- Do not use Traveller Chair on steep slopes.
- Care should be taken when standing, decide the most comfortable method, either standing up and stepping over the front of the chair or over the side of the chair.
- Ensure you raise your feet sufficiently when stepping over any element of the chair to avoid any possibility of tripping.
- Do not use the footrest as an aid to sitting or standing.

## Frequently Asked Questions

### Who can use the Traveller Chair?

Traveller Chair is designed for anyone who has difficulty walking any distance, with the following exceptions:

Children under the age of 12

People weighing over 16 stones (100kg)

People who are severely disabled

### Can I use the Traveller Chair on my own?

No, Traveller Chair is not self-propelled, it must be pushed by an attendant.

### Where can I use the Traveller Chair?

Traveller Chair was primarily designed for use in airport transportation. It can also be used in indoor buildings such as train stations, bus stations, car parks, hospitals, shopping centres, museums and art galleries, hotels and cruise ships. Please refer to the safety in use guidelines for surfaces to be avoided.

### Can I use Traveller Chair outdoors?

Traveller Chair is designed primarily as a transit chair for use indoors, but it can be used outside for short distances. For example, from airport parking to terminal building, it can negotiate pavements, small thresholds and textured surfaces at crossings. Please refer to the safety in use guidelines for surfaces to be avoided.

### Will Traveller Chair fit in my car?

Traveller Chair is very compact when folded so can fit easily into any boot size (folded dimension: 500 x 350 x 200 mm).

### How heavy is Traveller Chair?

Traveller Chair is constructed from lightweight aluminium, unpacked weight is 7kg, it has a carry handle and over the shoulder strap for ease of use.

### Can I take Traveller Chair on an aeroplane?

Yes, Traveller Chair is designed as a piece of carry-on luggage so can be stored in the overhead locker of most airlines\* (check your airline carry-on luggage allowance before you travel). Traveller Chair can also be stored in the hold of an aeroplane if you wish.

### Can I use Traveller Chair on an aeroplane?

No, Traveller Chair is not designed for this purpose.

### Can I access my belongings from Traveller Chair when it is folded on an aeroplane?

Yes, the main bag can be accessed when the chair is folded. Please note, the rear pocket is not accessible providing more security for anything stored in this pocket.

### Is Traveller Chair comfortable?

Yes, Traveller Chair has a padded seat and backrest.

### Do I need tools to operate Traveller Chair?

No, Traveller Chair folds and unfolds without the aid of any tools.

## Product Care

- All surfaces including fabric can be wiped clean with a mild detergent and/or antiseptic wipes.
- Do not use abrasive cleaning products or cloths as this may damage product surfaces.
- Remove any debris from wheels and brakes.
- Check all joints periodically, if you have any concerns contact your supplier.

## Guarantee

Traveller Chair guarantees this product for a period of twelve months, from the date of purchase, against faulty materials and workmanship. This guarantee does not cover abuse, misuse, interference or tampering with any part of the product. Any guarantee issued by Traveller Chair does not affect your statutory rights.

## Accessories

- Traveller Chair backpack
- Traveller Chair small hold case
- Traveller Chair large hold case

Traveller Chair has been tested to the relevant sections of BS EN 12182:2014 requirements for manual wheelchairs.

\*Airline regulations - Traveller Chair complies with over 95% of all airlines carry-on luggage requirements - please check your airline requirements before travelling.

## Contact

e: [hello@travellerchair.com](mailto:hello@travellerchair.com)

## Traveller Chair

Unit 4A, Goods Rd,  
Belper DE56 1UU

[www.travellerchair.com](http://www.travellerchair.com)



**TRAVELLER  
CHAIR**