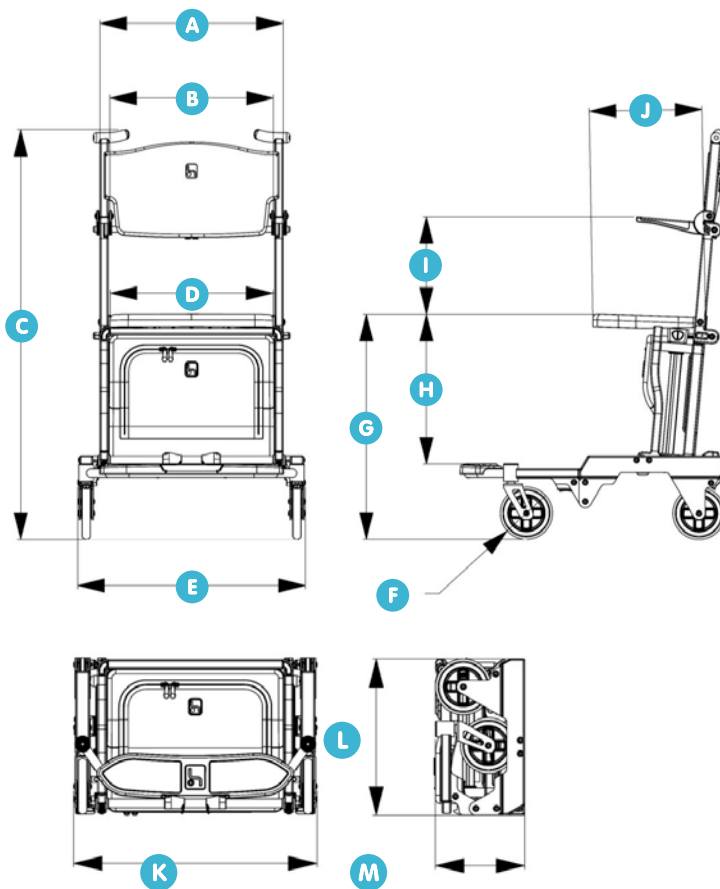




# TRAVELLER CHAIR

## Traveller Chair Technical Data Sheet

Traveller Chair is a lightweight aluminium folding transit wheelchair. Its innovative design combines both storage and transportation, its unique folding mechanism enables it to be quickly and easily folded, Small enough to comply with most airline carrier hand luggage stipulations. This means Traveller Chair is with you all the way, no fuss and no waiting. (Patent Applied For)



### DIMENSIONS OPEN

A Backrest Width	439
B Width between Armrests	392
C Push Handle Height	981
D Seat Width	390
E Product Width - Open	546
F Wheel Diameter	125
G Seat Height - from Floor	538
H Seat Height - from Footrest	358
I Armrest Height - from Seat	233
J Seat Depth	270

### DIMENSIONS FOLDED

K Product Width - Folded	546
L Product Height - Folded	350
M Product Depth - Folded	200

- All dimensions in mm
- All dimensions are approximate.
- Case capacity 15L approx.  
Plus rear pouch
- Product weight is approx. 9kg

### FEATURES

- Traveller Chair is a transit wheelchair
- Traveller Chair is a case
- Small enough to comply with most airline carrier hand luggage stipulations
- Lightweight aluminium construction
- Compact design is easily stored and carried
- Zipped rear pocket
- Quickly opens and folds
- Parking brakes
- Lap strap / shoulder strap
- Qualifies for VAT relief

### OPERATION

- Traveller Chair is designed both as a case and a transit wheelchair.
- As you prepare for your trip pack the case as you would a normal suitcase; please note, the rear pocket can only be accessed when the product is unfolded.
- At your destination unfold the product. Traveller Chair can now be used as an attendant-controlled transit wheelchair.
- Traveller Chair folds and unfolds in seconds, so can be used and stored simply and quickly, at any stage of your journey.

With you **all the way.**

## SAFETY IN USE

- Always familiarise yourself with the folding and opening operations of the product before using it on any journey.
- Always check the product is safe and sturdy before sitting, if in doubt do not use.
- Do not exceed the maximum user weight: 100kg (16 stone)
- Small children should not use this product. As a guide, anyone using Traveller Chair must be able, when seated, to rest their feet comfortably on the footrest.
- Both parking brakes must be applied when transitioning to, or from, a seated position.
- Do not stand on the footrest, or use it as an aid to sit or stand.
- Care should be taken when sitting or standing. Choose the most comfortable, stable method to avoid any possibility of tripping.
- Armrests can be raised to aid sitting or standing but must be down and locked when moving.
- When sitting, avoid dropping onto the seat. When seated, avoid sudden, jerky or rocking movements.
- Always maintain a central balance, DO NOT lean excessively in any direction, DO NOT perch on the front edge of the seat. DO NOT reach for objects away from the chair when seated.
- Feet must always be kept on the footrest when moving.
- Attendant should always maintain a steady walking pace, do not increase speed, particularly on slopes.
- Do not use on rough or uneven terrain.
- Avoid large kerbs. Small kerbs and thresholds can be negotiated. Use recommended practice, refer to NHS guidelines for correct operation.
- Only use the push handles to manoeuvre the product.
- Do not use on steep slopes.
- Do not reverse down slopes.
- Do not park (apply brakes) on a slope or camber over 3 degrees (1 in 20), park on level ground.
- Do not park in direct sunlight, as some surfaces may become hot if exposed for long periods.
- Do not use any unauthorised accessories, for example; cushions, with this product.
- Do not hang bags or luggage on the product, except for authorised Traveller

Chair accessories, attached as shown in the instructions for that product.

- Do not use as a seat in a motor vehicle
- Care should be taken when opening and folding to avoid any possibility of finger traps.
- Traveller Chair, like any luggage being stored in an overhead locker, requires an amount of strength to lift, if you are unsure about lifting, ask for assistance.
- Do not use the product if it is damaged.

## FREQUENTLY ASKED QUESTIONS

### Who can use the Traveller Chair?

Traveller Chair is designed for anyone who has difficulty walking any distance, with the following exceptions:  
Children under the age of 12  
People weighing over 16 stone (100kg)  
People who are severely disabled

### Can I use the Traveller Chair on my own?

No, Traveller Chair is not self-propelled, it must be pushed by an attendant.

### Where can I use the Traveller Chair?

Traveller Chair was primarily designed for use in airport transportation. It can also be used in indoor buildings such as train stations, bus stations, car parks, hospitals, shopping centres, museums and art galleries, hotels and cruise ships. Please refer to the safety in use guidelines for surfaces to be avoided.

### Can I use Traveller Chair outdoors?

Traveller Chair is designed primarily as a transit chair for use indoors, but it can be used outside for short distances. For example, from airport parking to terminal building, it can negotiate pavements, small thresholds and textured surfaces at crossings. Please refer to the Safety in Use guidelines for surfaces to be avoided.

### Will Traveller Chair fit in my car?

Traveller Chair is very compact when folded so can fit easily into any boot size (folded dimension: 546 x 350 x 200 mm).

### How heavy is Traveller Chair?

Traveller Chair is constructed from lightweight aluminium, unpacked weight is 9kg approx, it has a carry handle and a shoulder strap for ease of use.

### Can I take Traveller Chair on an aeroplane?

Yes, Traveller Chair is designed as a piece of carry-on luggage so can be stored in the overhead locker of most airlines (check your airline carry-on luggage allowance before you travel). Traveller Chair can also be stored in the hold of an aeroplane if you wish.

### Can Traveller Chair be used down an aircraft aisle?

No, Traveller Chair is not designed for this purpose.

### Can I access my belongings from Traveller Chair when it is folded on an aeroplane?

Yes, the main bag can be accessed when the chair is folded. Please note, the rear pocket is not accessible providing more security for anything stored in this pocket.

### Is Traveller Chair comfortable?

Yes, Traveller Chair has a moulded, contoured seat and backrest.

### Do I need tools to operate Traveller Chair?

No, Traveller Chair folds and unfolds without the aid of any tools.

## PRODUCT CARE

- All surfaces including fabric can be wiped clean with a mild detergent and/or antiseptic wipes.
- Do not use abrasive cleaning products or cloths as this may damage product surfaces.
- Remove any debris from wheels and brakes.
- Check all joints periodically, if you have any concerns contact your supplier.

## GUARANTEE

Traveller Chair guarantees this product for a period of twelve months, from the date of purchase, against faulty materials and workmanship. This guarantee does not cover abuse, misuse, interference or tampering with any part of the product. Any guarantee issued by Traveller Chair does not affect your statutory rights.

## ACCESSORIES

- Traveller Chair backpack
- Traveller Chair small hold case
- Traveller Chair large hold case
- Folding walking stick
- Traveller Chair trolley
- Luggage organiser kit

All Information provided in this leaflet, has been carefully prepared and checked, but Traveller Chair reserve the right to make changes and improvements to the product, which may affect the accuracy of the information in this leaflet.

All Traveller Chair goods are sold subject to our standard conditions of sale, which are available on request.

## CONTACT

email: [hello@travellerchair.com](mailto:hello@travellerchair.com)

### Traveller Chair

The Studio,  
Queen Street,  
Belper DE56 1NR

[www.travellerchair.com](http://www.travellerchair.com)